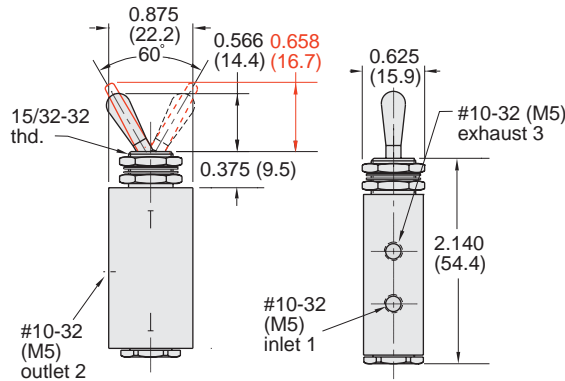
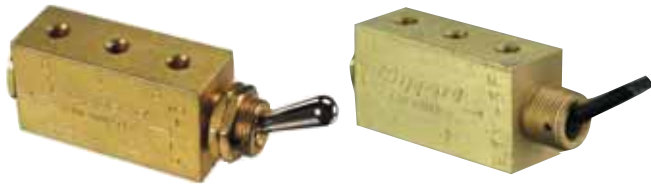


# 3-WAY TOGGLE & STEM VALVES



## 2 Position Spool Valves

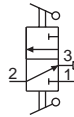


**Input Pressure:** 150 psig/10 bar max.

**Air Flow:** 6 SCFM @ 50 psig; 10 SCFM @ 100 psig;  
280 l/min @ 6 bar

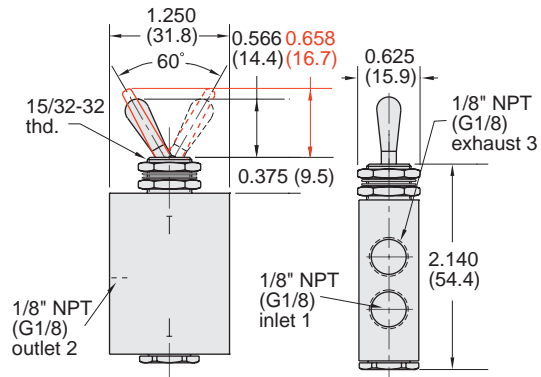
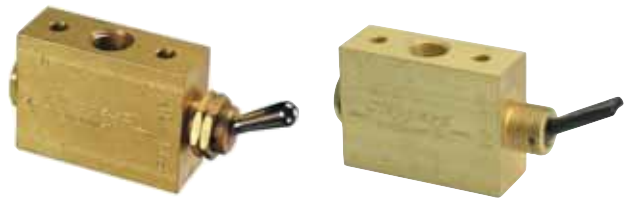
**Force For Full Stem Travel:** 16 oz. nominal

**Mounting:** 15/32-32 thread. Nuts and lockwashers furnished.



Part No.	Description
FTV-3	.2 Position Spool Valve, NP Brass Toggle, #10-32
FTV-3-M5	.2 Position Spool Valve, NP Brass Toggle, M5
FTV-3F	.2 Position Spool Valve, Plastic Toggle, #10-32
FTV-3F-M5	.2 Position Spool Valve, Plastic Toggle, M5

## 2 Position Spool Valves

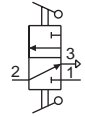


**Input Pressure:** 150 psig/10 bar max.

**Air Flow:** 6.5 SCFM @ 50 psig; 10.5 SCFM @ 100 psig;  
290 l/min @ 6 bar

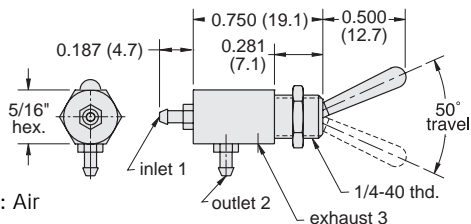
**Force For Full Stem Travel:** 16 oz. nominal

**Mounting:** 15/32-32 thread. Nuts and lockwashers furnished.



Part No.	Description
FTV-3P	.2 Position Spool Valve, NP Brass Toggle, 1/8" NPT
FTV-3P-MG	.2 Position Spool Valve, NP Brass Toggle, G1/8
FTV-3FP	.2 Position Spool Valve, Plastic Toggle, 1/8" NPT
FTV-3FP-MG	.2 Position Spool Valve, Plastic Toggle, G1/8

## Sub-Miniature Spool Valve



**Medium:** Air

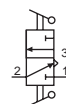
**Input Pressure:** 100 psig max.

**Ports:** 3-56 with 1/16" ID Hose Barbs

**Air Flow:** 1.4 SCFM @ 100 psig

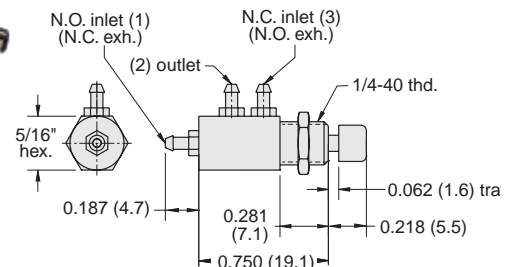
**Force For Full Stem Travel:** 24 oz. nominal

**Spool Material:** Delrin®



Part No.	Description
SMTV-3	. . . .Sub-Miniature Spool Valve

## Sub-Miniature N.O. or N.C. Spool Valve



**Medium:** Air

**Stem Travel:** 1/16"

**Input Pressure:** 100 psig max.

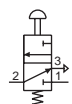
**Ports:** 3-56 with 1/16" ID Hose Barbs

**Air Flow:** 1.4 SCFM @ 100 psig

**Force For Full Stem Travel:** 20 oz. nominal

**Spool Material:** Delrin®

Four colors of snap on push buttons included with each valve



Part No.	Description
SMAV-3	. . . .Sub-Miniature N.O. or N.C.